

9 DEALER MANUAL FOR SR PA1XX.32.S



CONTENT

9.1 Introduction of Sensor	2
9.2 Specifications	2
9.2.1 Outline and geometric size.....	3
9.2.2 Cautions.....	3
9.3 Sensor Installation	4
9.3.1 List of Tools to be used.....	4
9.3.2 Install Sensor.....	4
9.3.3 Remove Sensor	6

9.1 INTRODUCTION OF SENSOR



- Name: BB speed sensor
- Model: SR PA112.32.S
SR PA121.32.S
SR PA131.32.S
SR PA142.32.S
SR PA172.32.S

- Scope: It is applicable to standard 68mm BB.
- The material of locking cap is PA (nylon).

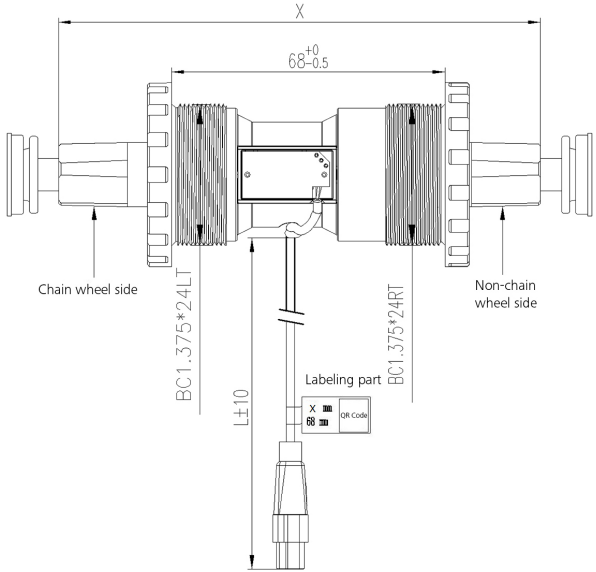
i This is a speed sensor for the BB (bottom bracket). This high-quality and high-performance BB speed sensor is installed on electric bicycles or tricycles. The CPU processes the speed signals collected by the speed sensor by means of non-contact induction and analyzes the motor operating direction. As the speed sensor (including its PCBA) is integrated within the BB, it is protected from friction and boasts a longer service life.

9.2 SPECIFICATIONS

Model: SR PA 1XX.32.S

Rated current (mA)	< 10
The thread standard	BC1.37**24
Outdoor Temperatures	-20 C ~60 C
Shaft Length (mm)	127 / 119 / 124 / 136.5 / 132
Shaft standard	JIS
BB width(mm)	68
Rated voltage (V)	4.5-5.5
Impulses per revolution	32

9.2.1 Outline and geometric size



Model No.	SR PA112.32.S	SR PA121.32.S	SR PA131.32.S	SR PA142.32.S	SR PA172.32.S
X (Shaft Length) /mm	127	119	124	136.5	132

Connector Length(mm), Connector type: 150 G6.5.4 / 950 G6.5.4

9.2.2 Cautions

- The pedelec should be stored in a ventilated dry room. Avoid storing the pedelec near strong magnetic objects.
- Should not be used for a long time overload.
- Should avoid wading to use.



Do not contact magnetic materials with products (mainly axes)



It is forbidden to be knocked during product transportation and installation.



At installation and disassembly it shall be carried out in accordance with the prescribed procedures to prevent break line.

9.3 SENSOR INSTALLATION

9.3.1 List of Tools to be used

Use of the Tools

To fasten or remove lock cap on sensor



Tools

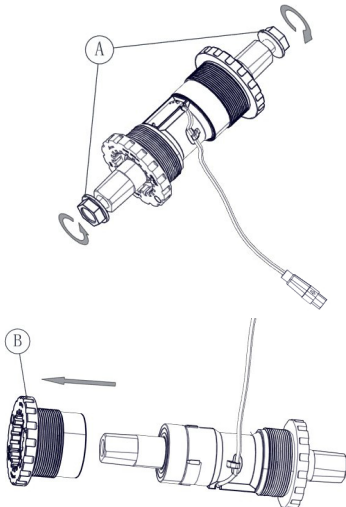
Special tools

9.3.2 Install Sensor

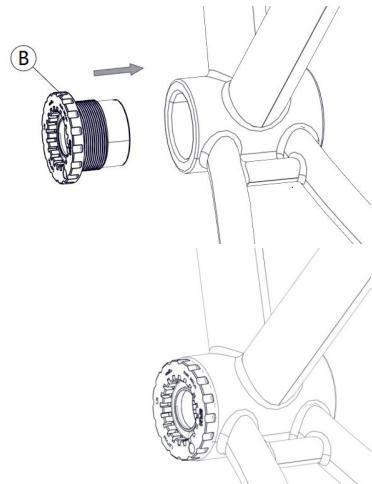
Assemble requirements:

- The thread standard: BC1.37"*24
- On Chain wheel side must be left hand thread.
- On Non-chain wheel side must be right hand thread.
- Bottom Bracket: 68mm±0.5

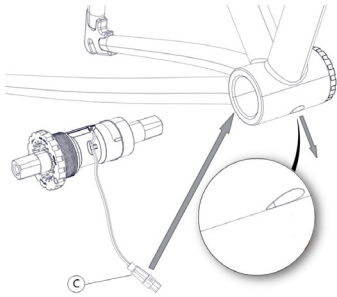
1. Remove the nuts (A) and the left locking cap (B) of the sensor.



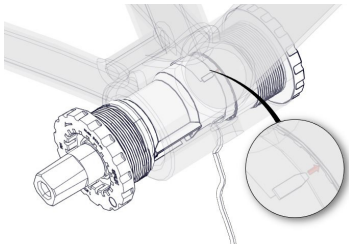
2. Check whether there are any iron chips, burrs or paint on the inner thread of the BB. If any, please check it up. Apply grease on the thread cap.
3. Screw the left lock cap (B) clockwise from non-chain wheel side into the bottom bracket.



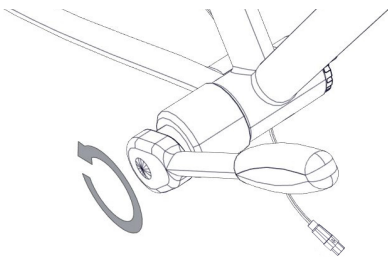
4. Push cable (C) of sensor from chain wheel side through the hole in the bottom bracket. Make sure that the cable don't slide back into the bottom bracket.



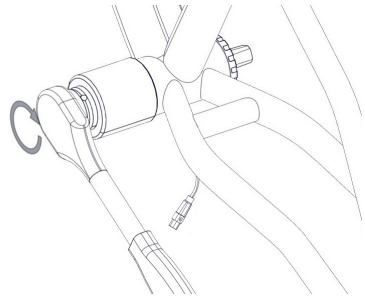
5. Place sensor into the BB of frame and screw the lock cap (from chain wheel side) anticlockwise into the BB.



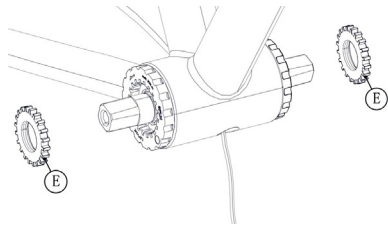
6. Screw the lock cap anticlockwise into the bottom bracket and fasten with special tools. Tightening torque requirement: 30 Nm(max).



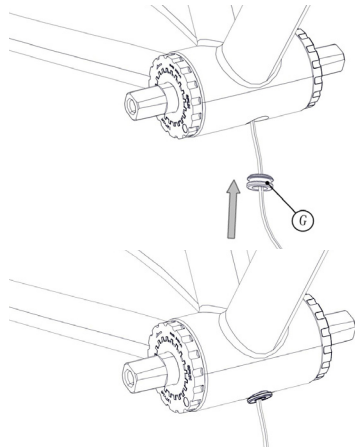
7. Fasten the lock cap on non chain wheel side clockwise with special tools. Tightening torque requirement: 30 Nm(max).



8. Put onto the dust-proof plug (F) at both sides of the shaft.

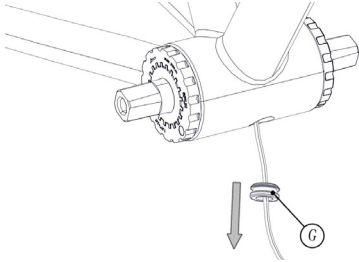


9. Put the rubber ring (G) into the cable outlet hole

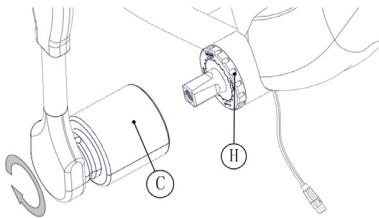


9.3.3 Remove Sensor

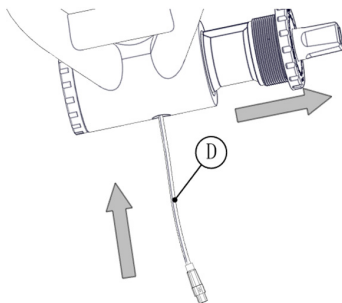
1. Remove the rubber ring (G).



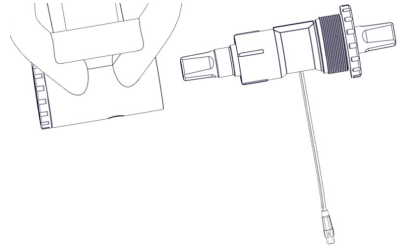
2. Screw Off the lock cap (H) with special tools (C).



3. Push back cable (D) from the hole and remove out the sensor from frame.



4. Screw Off anticlockwise the lock cap (A) on non chain wheel side with special tools (C).



5. Finish the dismantlement.

